



KYOCERA

KS45T

HIGH EFFICIENCY POLYCRYSTALLINE PHOTOVOLTAIC MODULE

TYPICAL OUTPUT 45 Wp



SPECIFICATIONS

Solartec modules are manufactured with highly efficient polycrystalline photovoltaic cells produced by Kyocera in Japan. The conversion efficiency of these cells is over 14 %.

These cells are encapsulated between a tempered glass cover and an EVA pottant with TPE back sheet to provide maximum protection from the severest environmental conditions.

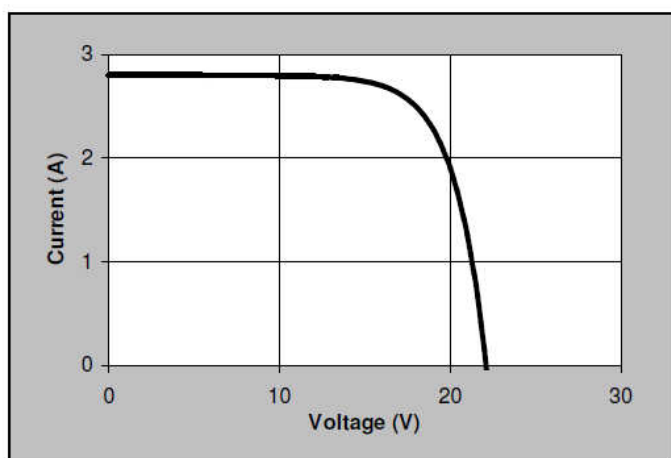
The entire laminate is installed in an anodized aluminum frame to provide structural strength and ease of installation. The junction box at the back sheet is used for the interconnection with the other components of the system.

Electrical Specifications

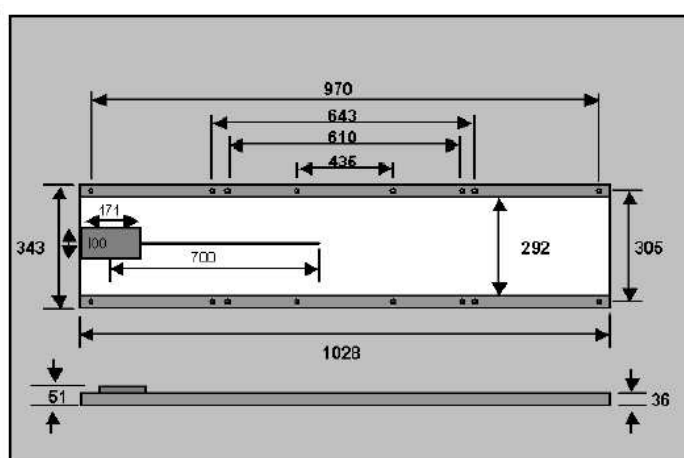
Nominal Power (NP)	45 Wp
Voltage @ NP	17.7 V
Current @ NP	2.55 A
Open Circuit Voltage	22.1 V
Short Circuit Current	2.80 A

Physical Specifications

Length	1028 mm
Width	343 mm
Depth	36 mm
Weight	4.55 Kg



The electrical specifications are under test conditions of irradiance of 1 kW/m², Spectrum of 1.5 air mass and cell temperature of 25°C.
Minimum Power Output = Nominal Power - 10 %



All the distances are in mm.