

SF1600TL/2200TL/3000TL



Features

- Transformerless with the best patented Topology
- Max efficiency up to 97.8%
- Single MPPT inputs accommodating wide voltage range
- Compact structure design
- Simple local setting

Flexibility

- Indoors and outdoors usage (IP65)
- Easy installation and free maintenance
- RS485/WiFi(optional) communication
- Sound control
- Multi-lingual display

Reliability

- Reliable protection for over/under voltage,antiislanding,short circuit, overload, etc.
- 6-year quality warranty extends to 15 years(optional) exclusively
- Comply with VDE0126-1-1, EN62109 - 1,EN62109-2,AS/NZS 3100,AS4777.2, AS4777.3,VDEAR-N-4105,CQC,G83/2,C10/C11:2012 etc.

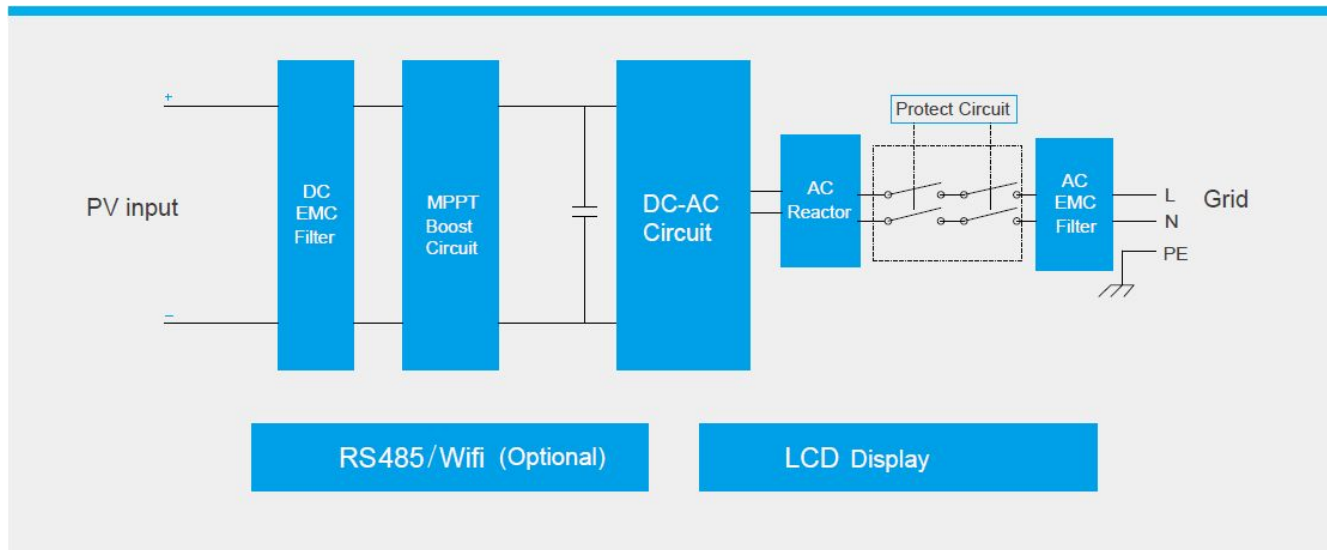


Solar Family™ Series

Solar Family (Brief in SF) Series provide string inverters with the best patented topology globally, also we can customize to provide more optional choices for PV power systems.

SF series has been proved to be outstanding for its features like leading edge efficiency, high costeffective,modern appearance, friendly interface, and ultra-long quality warranty, etc.

Diagram



Technical Data

Inverter Model	SF1600TL	SF2200TL	SF3000TL
Input (DC)			
Max DC power	1850 W	2500 W	3500 W
Max DC voltage	550 V	550 V	550 V
Full load MPPT Voltage Range /Rated Voltage	120-500V/360V	170-500V/360V	210-500V/360V
Max input current per string	13A	15A	15A
Start Voltage / On-grid Voltage	100/120V	100/120V	100/120V
Number of MPP trackers /Strings per tracker	1/1	1/1	1/1
Output (AC)			
AC nominal power	1600 W	2200 W	3000 W
Max apparent power	1760 VA	2420 VA	3300 VA
Nominal AC voltage	220V/230V/240V	220V/230V/240V	220V/230V/240V
AC voltage range	176V-276V	176V-276V	176V-276V
AC grid frequency	50Hz/60Hz	50Hz/60Hz	50Hz/60Hz
Max output current	7.8 A	11 A	14.5 A
Power factor	>0.99	>0.99	>0.99
Harmonics(THD)	<3%	<3%	<3%
Efficiency			
Max efficiency	97.7%	97.8%	97.8%
Euro efficiency	97.0%	97.1%	97.2%
MPPT efficiency	99.9%	99.9%	99.9%
General data			
Dimensions (W / H / D)	386/ 340/ 159 mm	386/ 340/ 159 mm	386/ 340/ 159 mm
Weight	13.6 kg	13.9 kg	13.9 kg
Operating temperature range	-25 °C ~ +60 °C	-25 °C ~ +60 °C	-25 °C ~ +60 °C
Degree of protection (according to IEC 60529)	IP65	IP65	IP65
Climatic category (according to IEC 60721-3-4)	4K4H	4K4H	4K4H
Internal consumption: (night)	<0.5 W	<0.5 W	<0.5 W
topology	Transformerless	Transformerless	Transformerless
Cooling concept	Natural Convection	Natural Convection	Natural Convection
Noise (typical)	<30 dB	<30 dB	<30 dB
Communication:(RS485/WiFi)	Yes/Opt.	Yes/Opt.	Yes/Opt.
Warranty: (6 / 10 / 15 years)	Yes/Opt./Opt.	Yes/Opt./Opt.	Yes/Opt./Opt.