

SF3600TL/4200TL/4600TL/5000TL



Features

- Transformerless with the best patented Topology
- Max efficiency up to 98.0%
- Dual MPPT inputs accommodating wide voltage range
- Compact structure design
- Simple national setting

Flexibility

- Indoors and outdoors usage (IP65)
- Easy installation and free maintenance
- Sound control
- RS485/WiFi(optional) communication
- Multi-lingual display

Reliability

- Reliable protection for over/under voltage, antiislanding, short circuit, overload, etc.
- 6-year quality warranty extends to 15 years(optional) exclusively
- Comply with VDE0126-1-1, EN62109 - 1, EN62109-2, G83/2, G59/2, AS/NZS 3100, AS4777.2, AS4777.3, VDE-AR-N-4105, CQC, C10/C11:2012 etc.

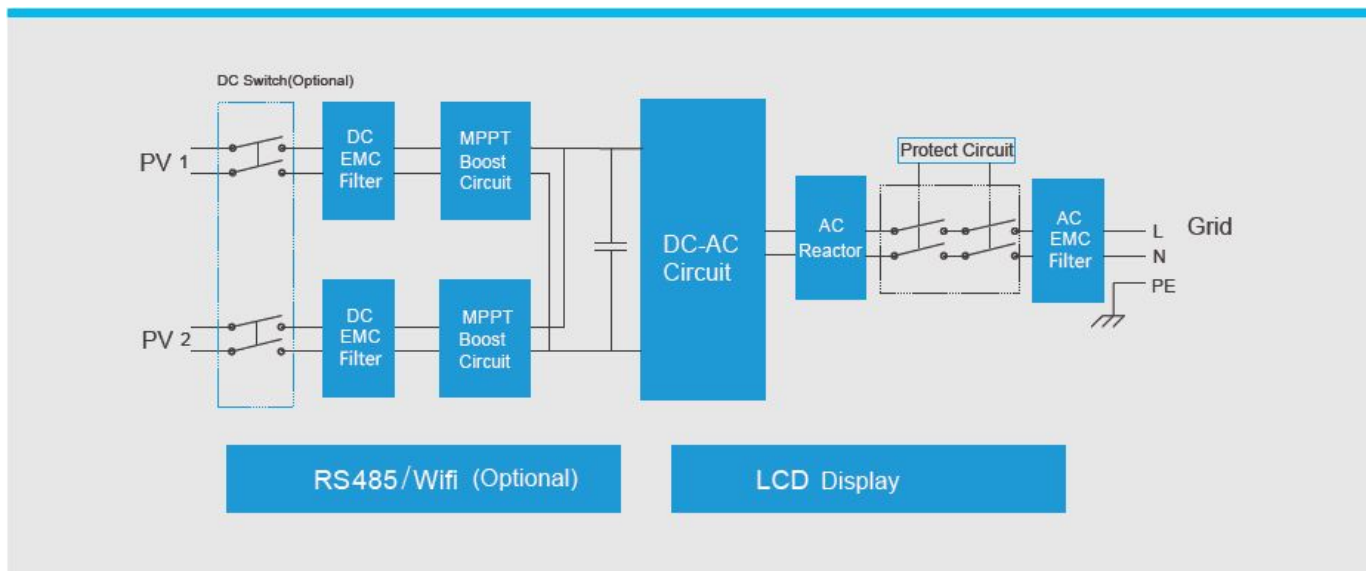
Solar Family™ Series

Solar Family (Brief in SF) Series provide string inverters with the best patented topology globally, also we can customize to provide more optional choices for PV power systems.

SF series has been proved to be outstanding for its features like leading edge efficiency, high cost-effective, modern appearance, friendly interface, and ultra-long quality warranty, etc.

<p>The Solar Power Magazine International</p> <p>B&B Power SF 4600TL</p> <p>A</p> <p>96.8 % at medium irradiation</p> <p>5/2013</p> <p>www.photon.info</p>	<p>The Solar Power Magazine International</p> <p>B&B Power SF 4600TL</p> <p>A</p> <p>97.3 % at high irradiation</p> <p>5/2013</p> <p>www.photon.info</p>
---	---

DIAGRAM



Technical Data

Inverter Model	SF3600TL	SF4200TL	SF4600TL	SF5000TL
Input (DC)				
Recommend Max DC power	3800 W	4400 W	4800 W	5200 W
Max DC power each MPP tracker	3000 W			
Max DC voltage	550 V	550 V	550 V	550 V
Full load MPPT Voltage Range / Rated Voltage	120-500 V/360V	150-500 V/360V	160-500 V/360V	175-500 V/360V
Max input current input A/input B	15A/15A	15A/15A	15A/15A	15A/15A
Start Voltage / On-grid Voltage	100/120V	100/120V	100/120V	100/120V
Number of MPP trackers /Strings per tracker	2/1	2/1	2/1	2/1
Output (AC)				
AC nominal power	3600 W	4200 W	4600 W	5000 W
AC nominal apparent power	3600 VA	4200 VA	4600 VA	5000 VA
Nominal AC voltage	220V/230V/240V	220V/230V/240V	220V/230V/240V	220V/230V/240V
AC voltage range	176V-276V	176V-276V	176V-276V	176V-276V
AC grid frequency	50Hz/60Hz	50Hz/60Hz	50Hz/60Hz	50Hz/60Hz
Max output current	18A	21A	22A	24A
Power factor(adjustable)	0.8leading~0.8lagging	0.8leading~0.8lagging	0.8leading~0.8lagging	0.8leading~0.8lagging
Harmonics(THD)	<3%	<3%	<3%	<3%
Efficiency				
Max efficiency	98.1%	98.1%	98.1%	98.1%
Euro efficiency	97.3%	97.4%	97.5%	97.6%
CEC efficiency	97.6%	97.7%	97.8%	97.8%
MPPT efficiency	99.9%	99.9%	99.9%	99.9%
General data				
Dimensions (W / H / D)	386 / 420/ 159 mm	386 / 420/ 159 mm	386 / 420/ 159 mm	386 / 420/ 159 mm
Weight	17.2kg	17.5kg	17.5kg	17.5kg
Operating temperature range	-25°C~ +60°C	-25°C~ +60°C	-25°C~ +60°C	-25°C~ +60°C
Degree of protection (according to IEC 60529)	IP65	IP65	IP65	IP65
Climatic category (according to IEC 60721-3-4)	4K4H	4K4H	4K4H	4K4H
Internal consumption: (night)	<0.5 W	<0.5 W	<0.5 W	<0.5 W
topology structure	Transformerless	Transformerless	Transformerless	Transformerless
Cooling concept	Natural Convection	Natural Convection	Natural Convection	Natural Convection
Noise (typical)	<30 dB	<30 dB	<30 dB	<30 dB
Communication (RS485/WiFi)	Yes/Opt.	Yes/Opt.	Yes/Opt.	Yes/Opt.
Warranty (6 / 10 / 15 years)	Yes/Opt./Opt.	Yes/Opt./Opt.	Yes/Opt./Opt.	Yes/Opt./Opt.
DC Switch	Opt.	Opt.	Opt.	Opt.